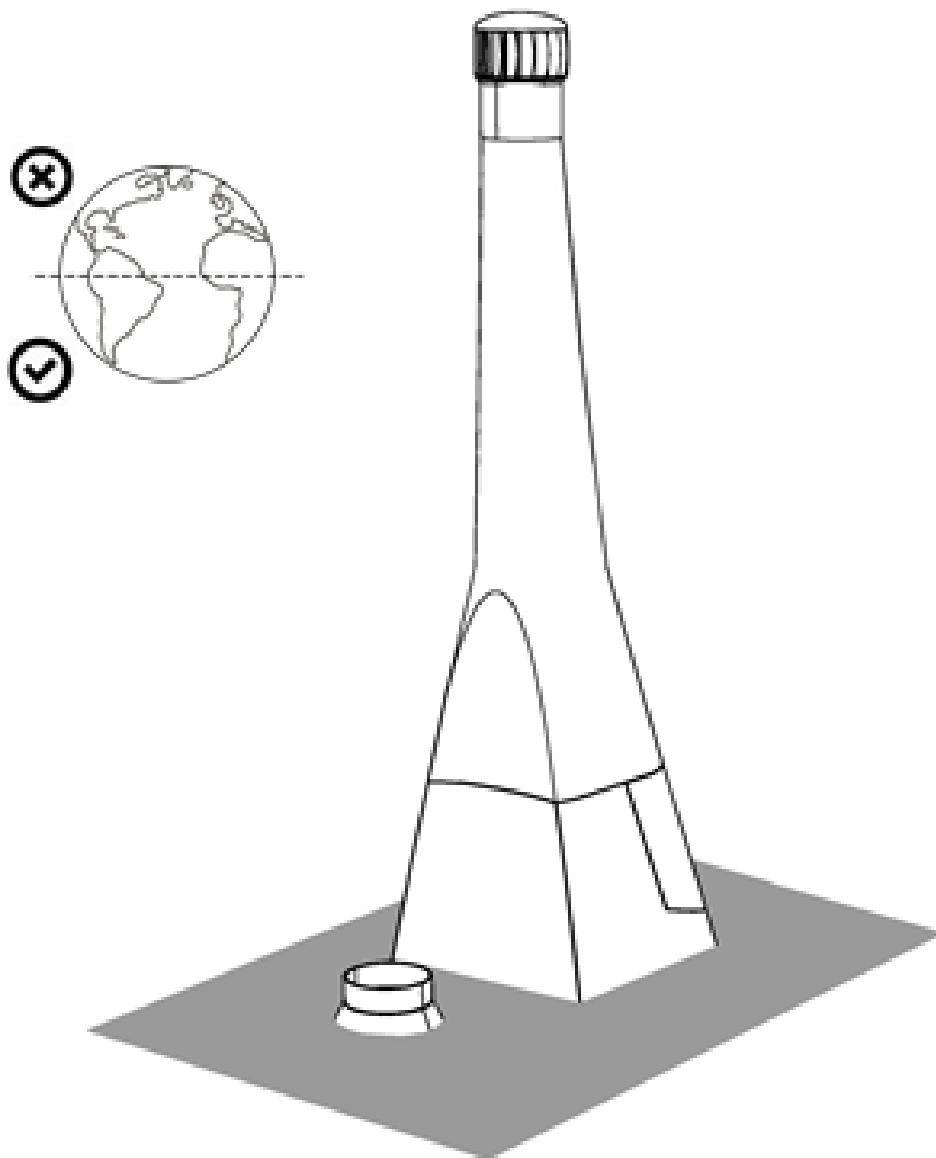
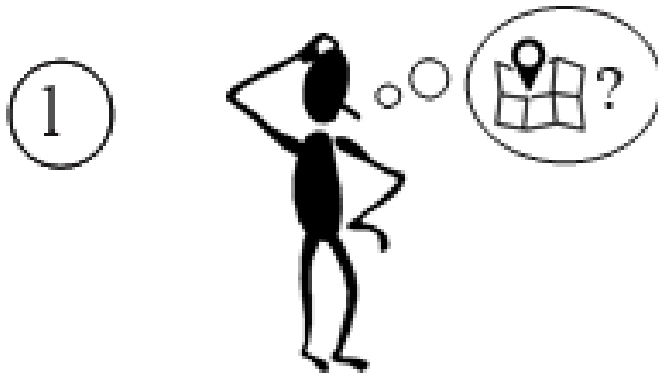


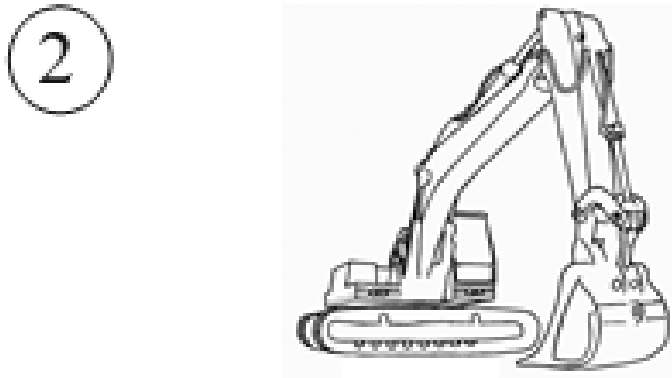
Kazubatm

STK Installation Manual

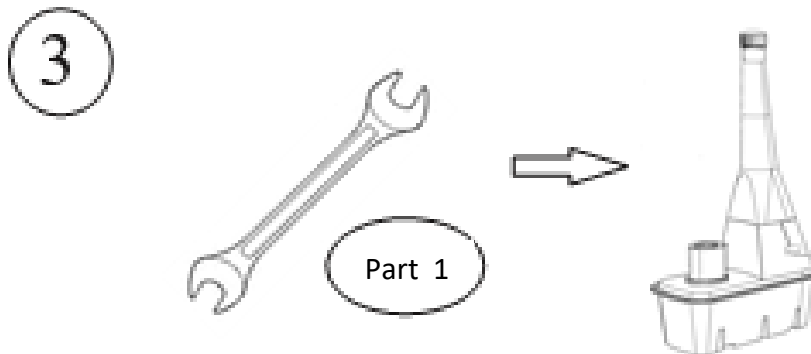




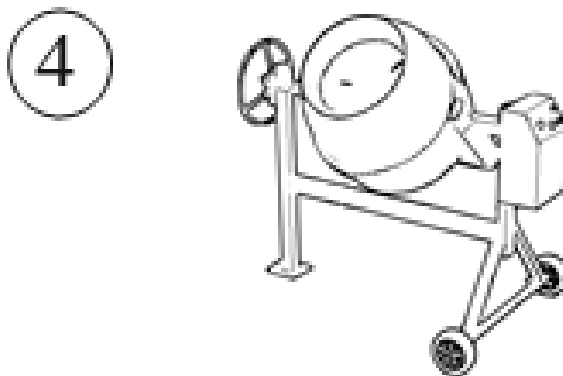
I. Choosing site



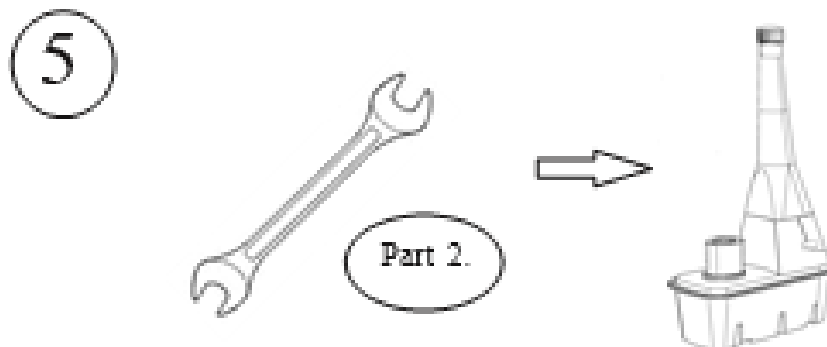
II. Digging / Excavation



III. Initial Assembly



IV. Filling Excavation

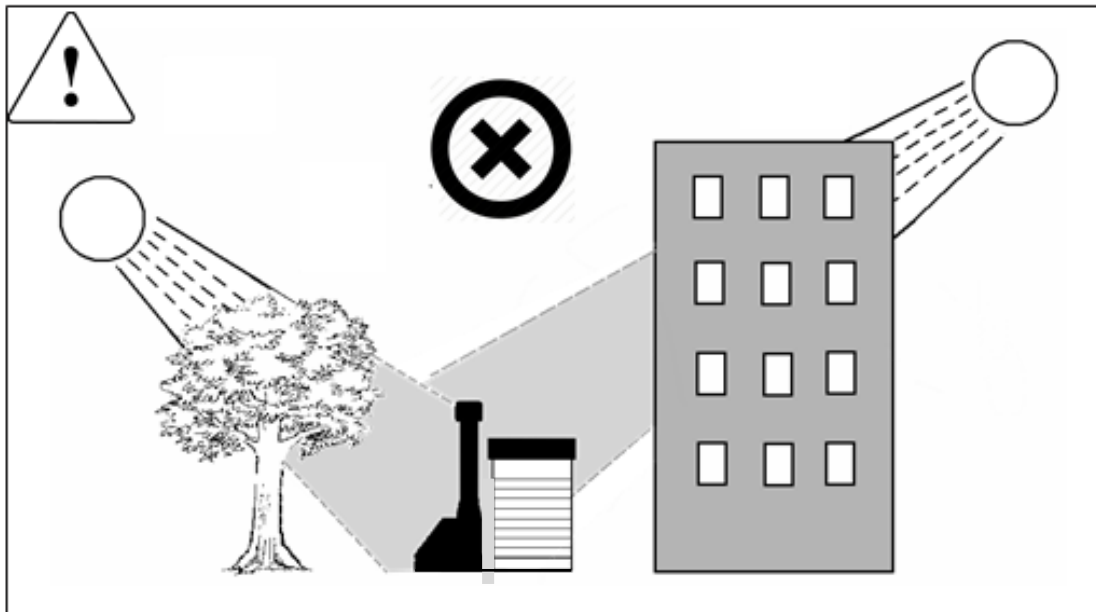


V. Final Assembly

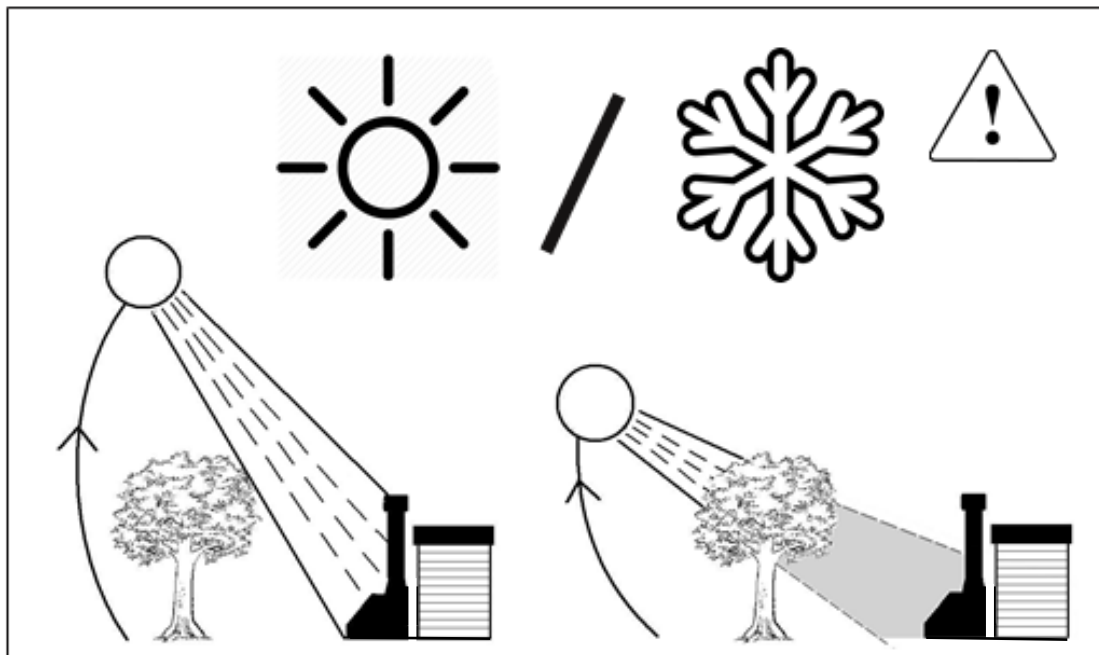
1
I.1

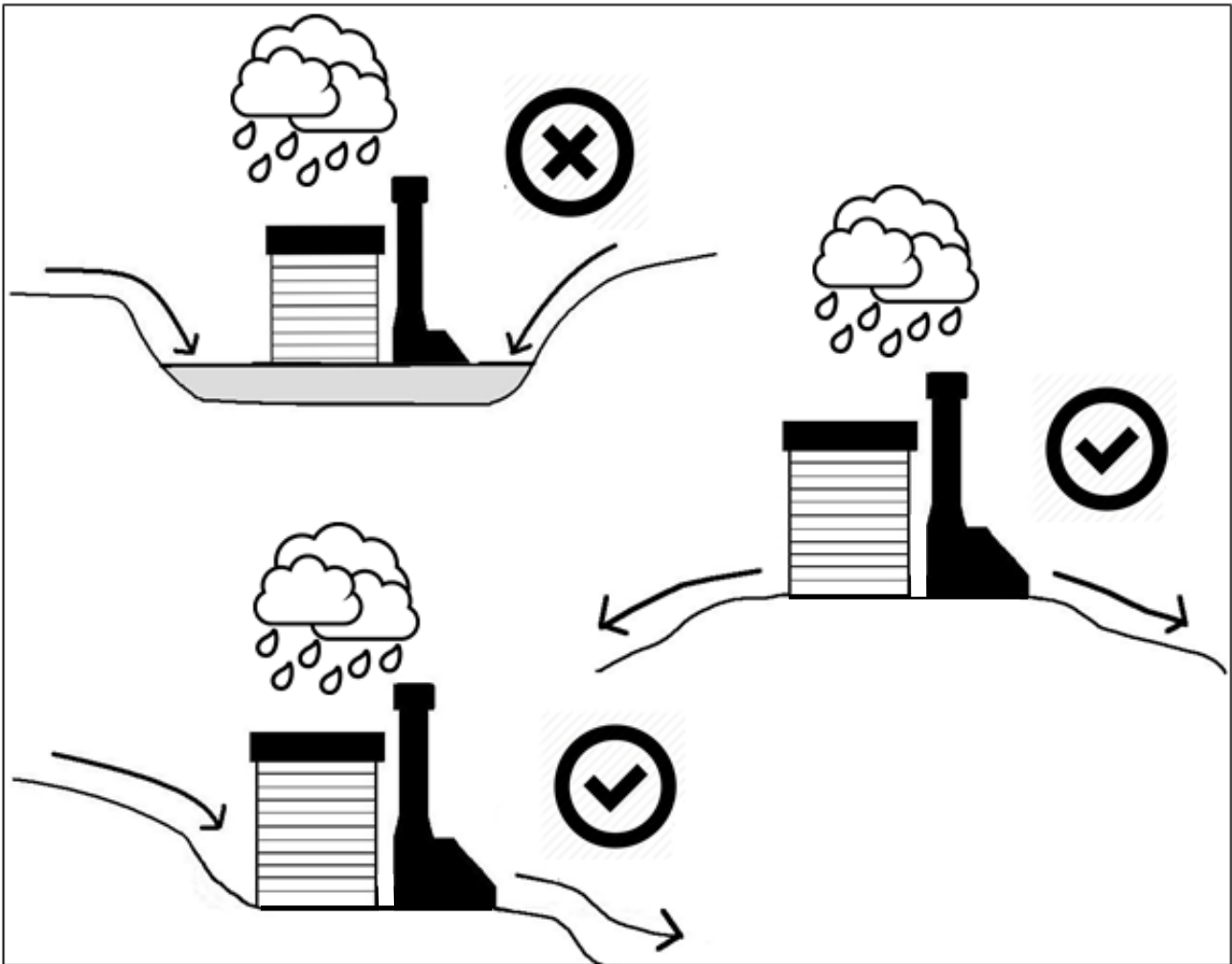


Choose a suitable site, being sure to consider future developments.



Also be aware of the sun and ability to heat the Kazuba during all seasons.





I.2. Be sure to have good drainage away from the Kazuba.

N	✓	✓	✓
W	✓	✓	
E	✓	✓	
SW	✓		
SE	✓		
S	X	X	X

Be sure to position the Kazuba so it will receive the most sun all year round on the tall chimney.

I.3.

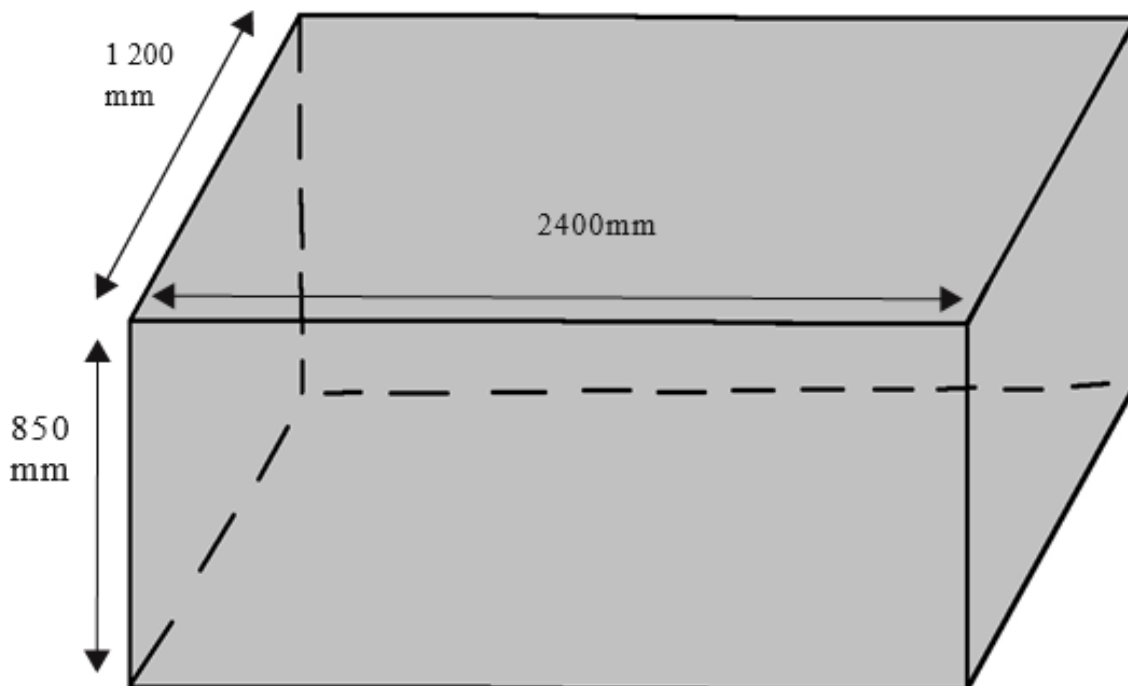
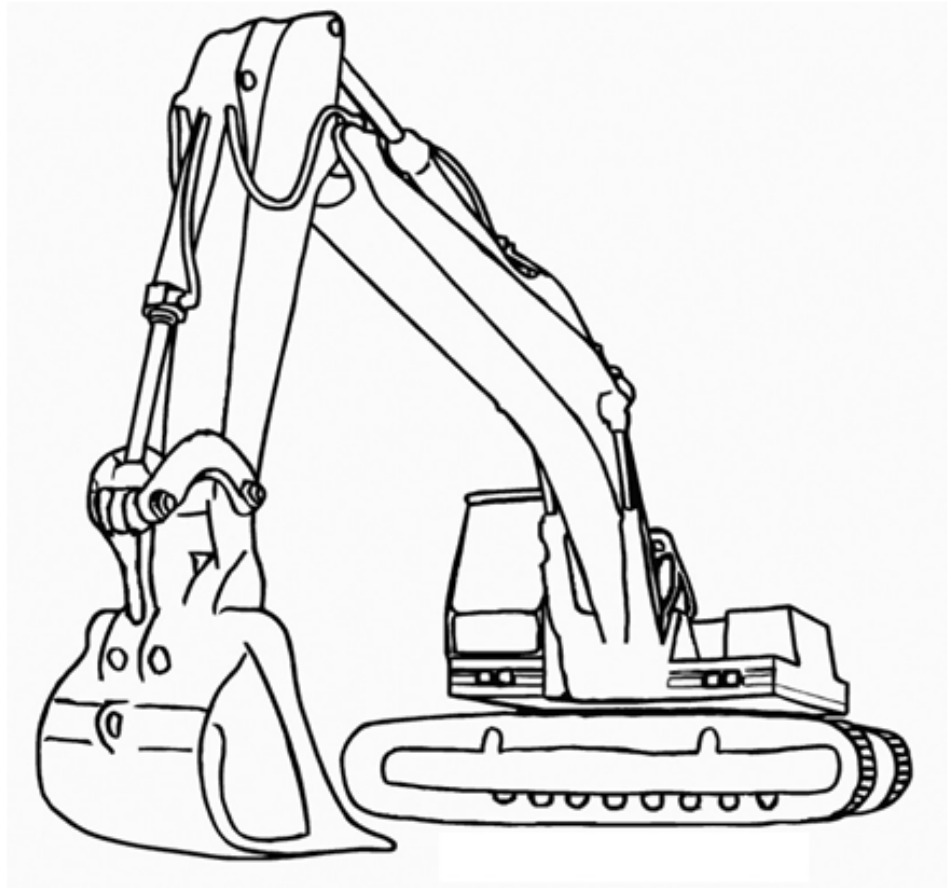


Be sure to read the installation instructions carefully.

Be sure to get all council permissions before installing.

****Be sure to get a Geo Tech Engineer to confirm concrete specifications and requirements for your area.**

②



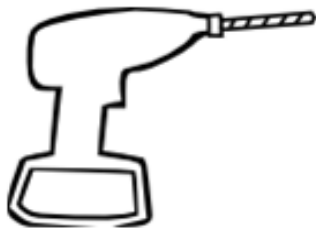
It might be better to hire an excavator to do the digging.
And once done, using crusher dust make the bottom
Level and ready for the base frame.

Kazuba

3



These are some of the tools you will need to install your Kazuba.
Cordless drill and 2 HSS drill bits



6.5 + 3.2

+

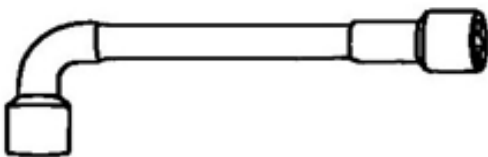
10mm and 13mm spanners



10 + 13

+

10mm ratchet



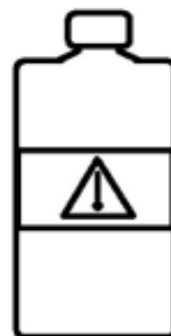
10

+

Silicone gun, cleaner and a pop rivet gun.



+

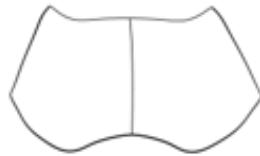
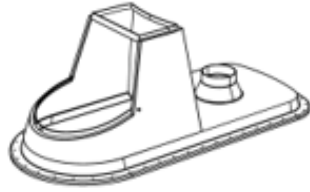


ACETONE

+



Components to be installed.



x 2



(6 x 30)
x 50



(6)
x 50



(52 x 3)
x 8



(45 x 4)
x 3



(6)
x 100



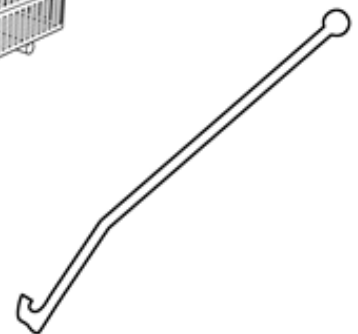
(6 x 40)
x 5



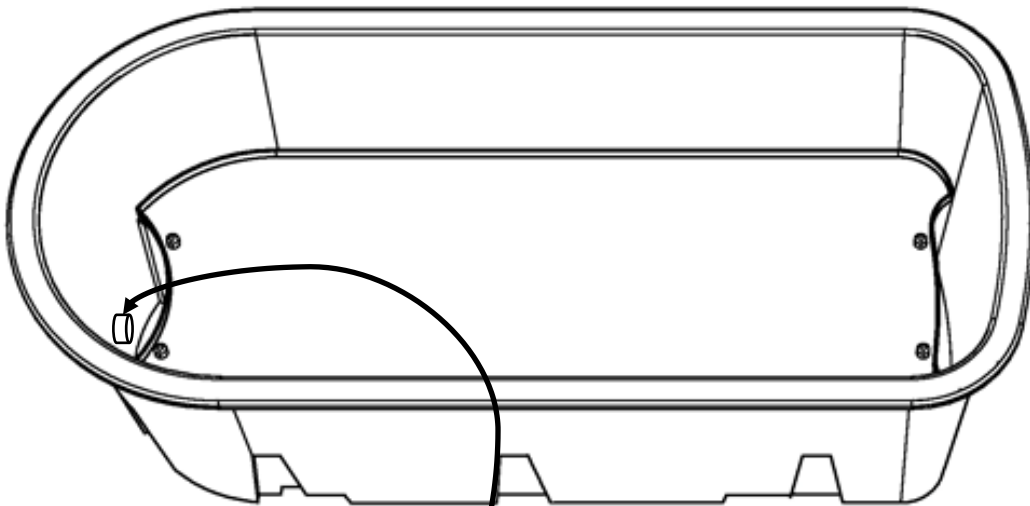
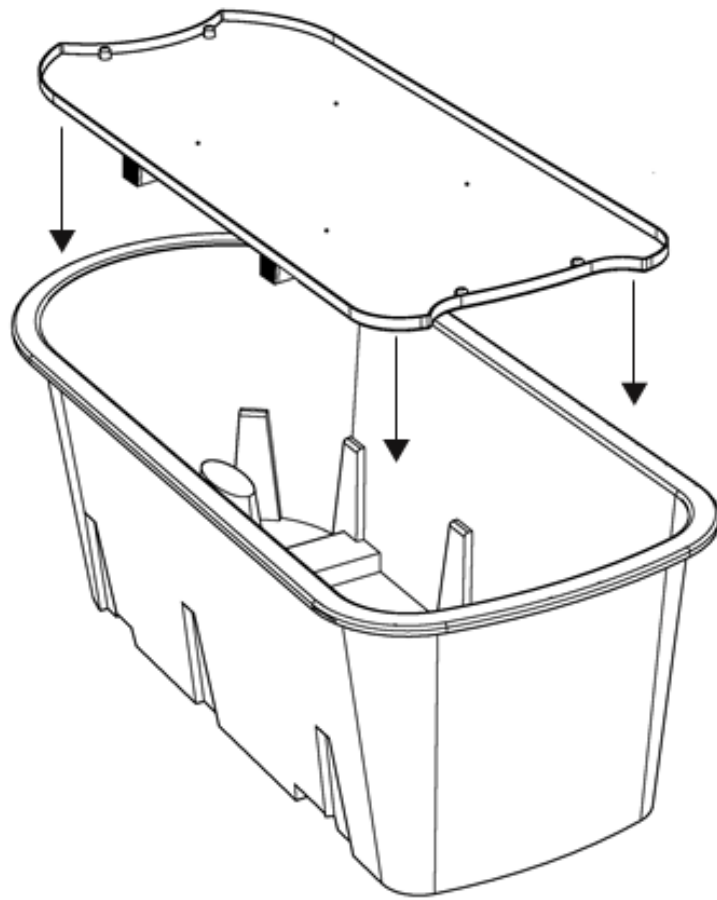
(6)
x 10



(6)
x 5

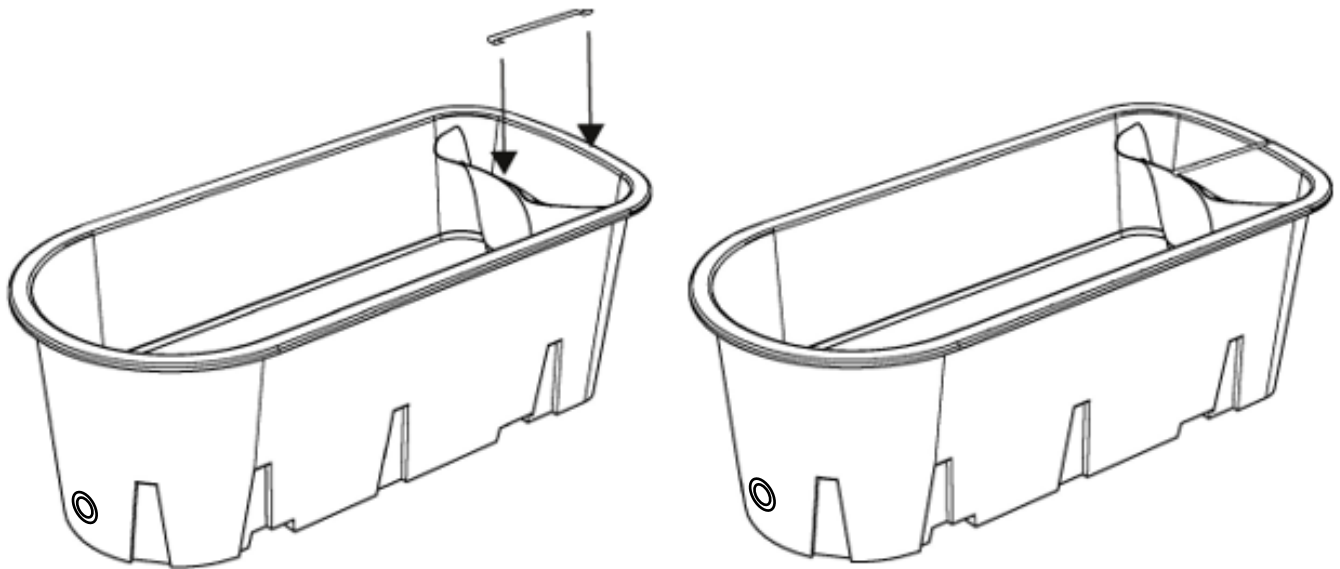
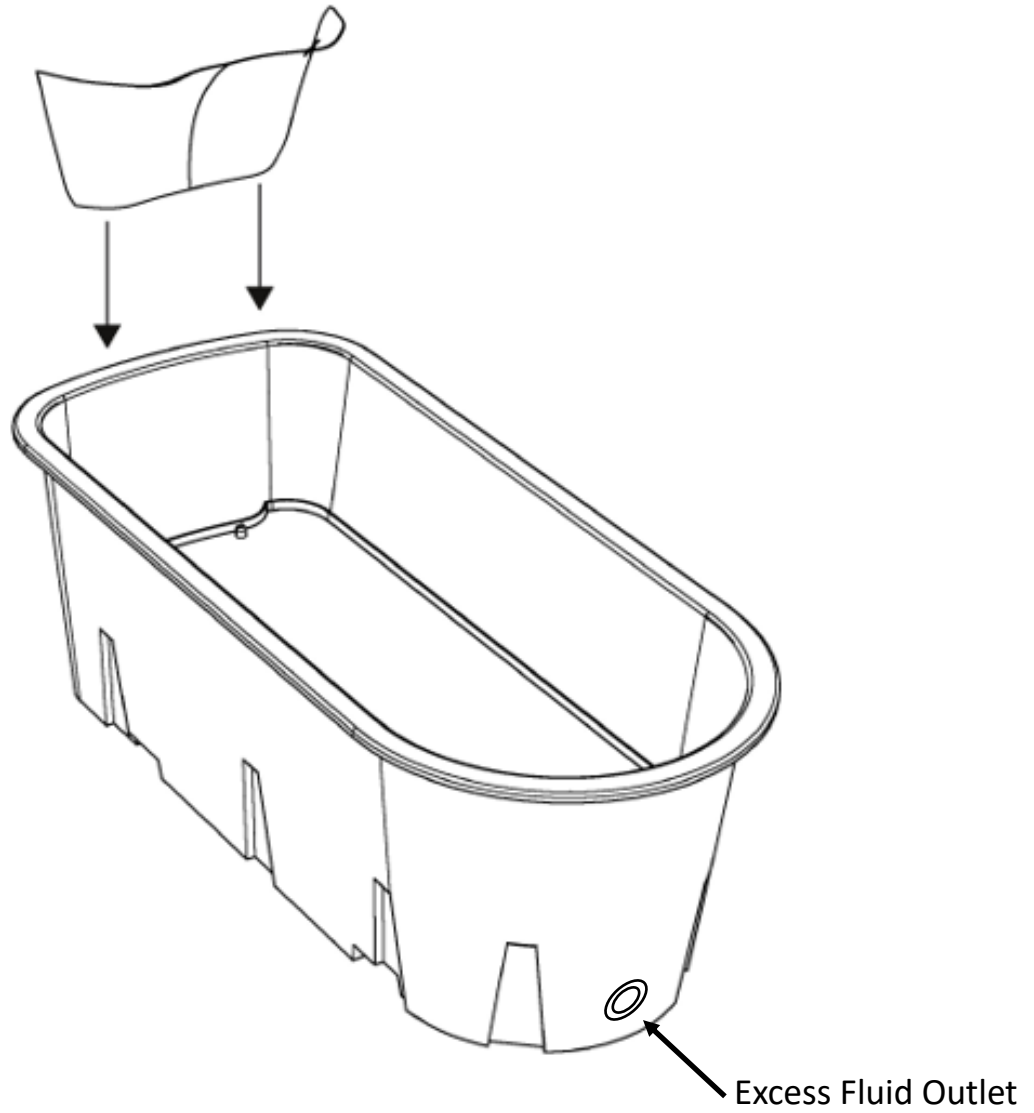


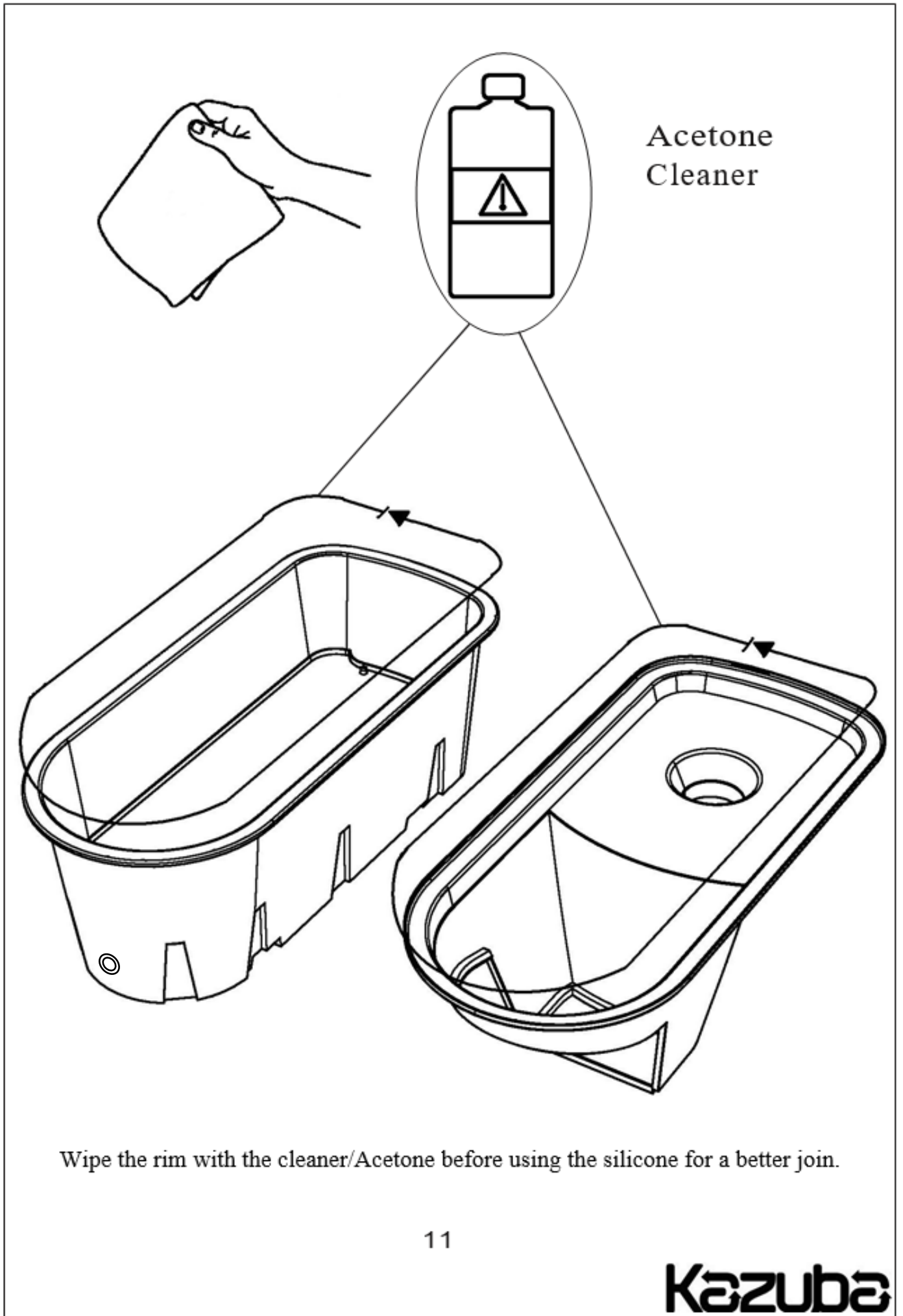
How they fit together.



Excess Fluid Outlet

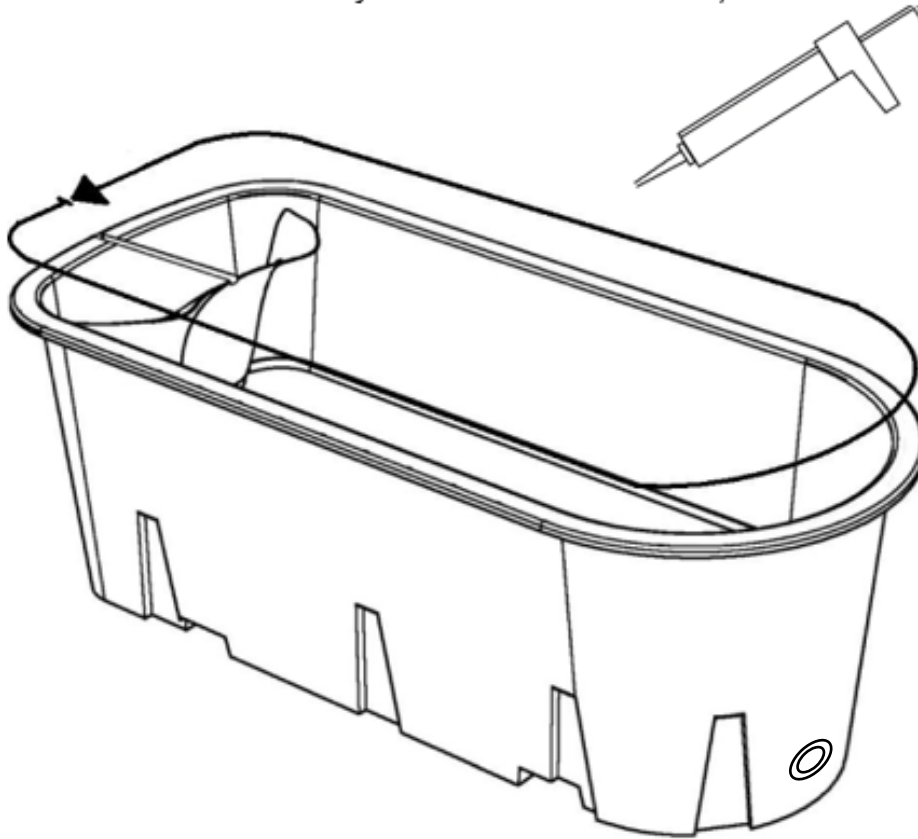
Check how they fit together



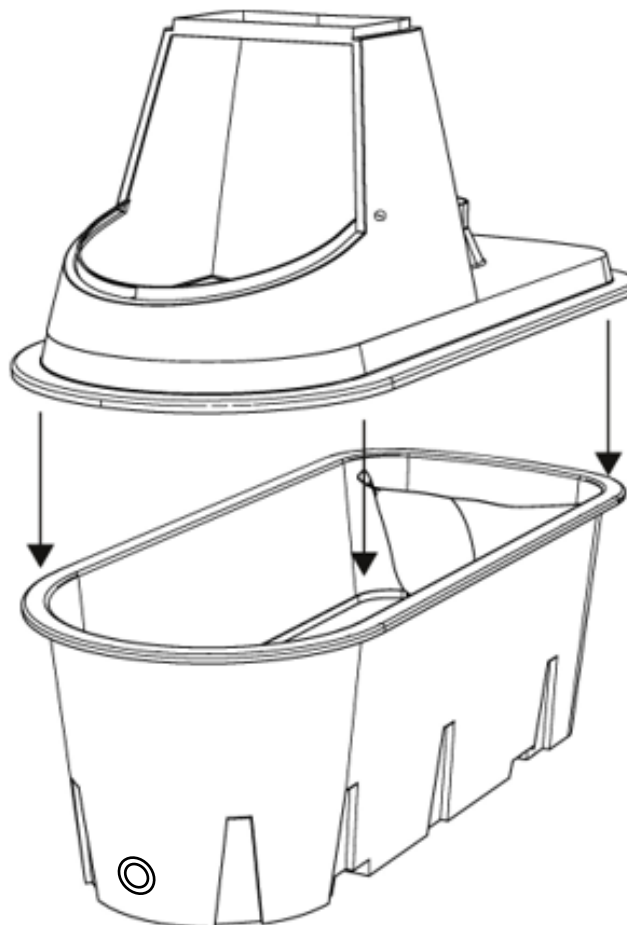


Wipe the rim with the cleaner/Acetone before using the silicone for a better join.

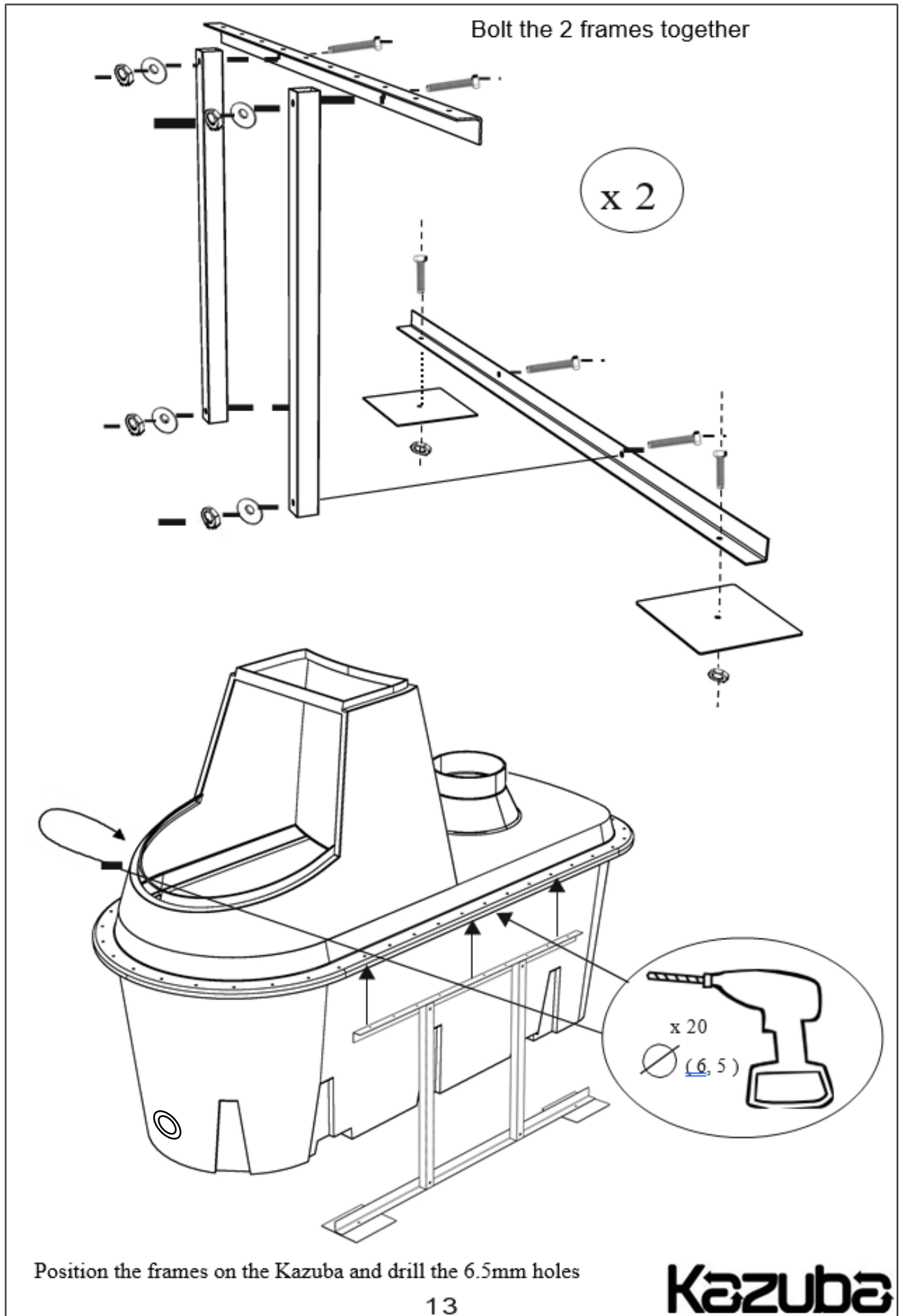
Run a bead of silicone all the way around the chamber, be sure to leave no gaps

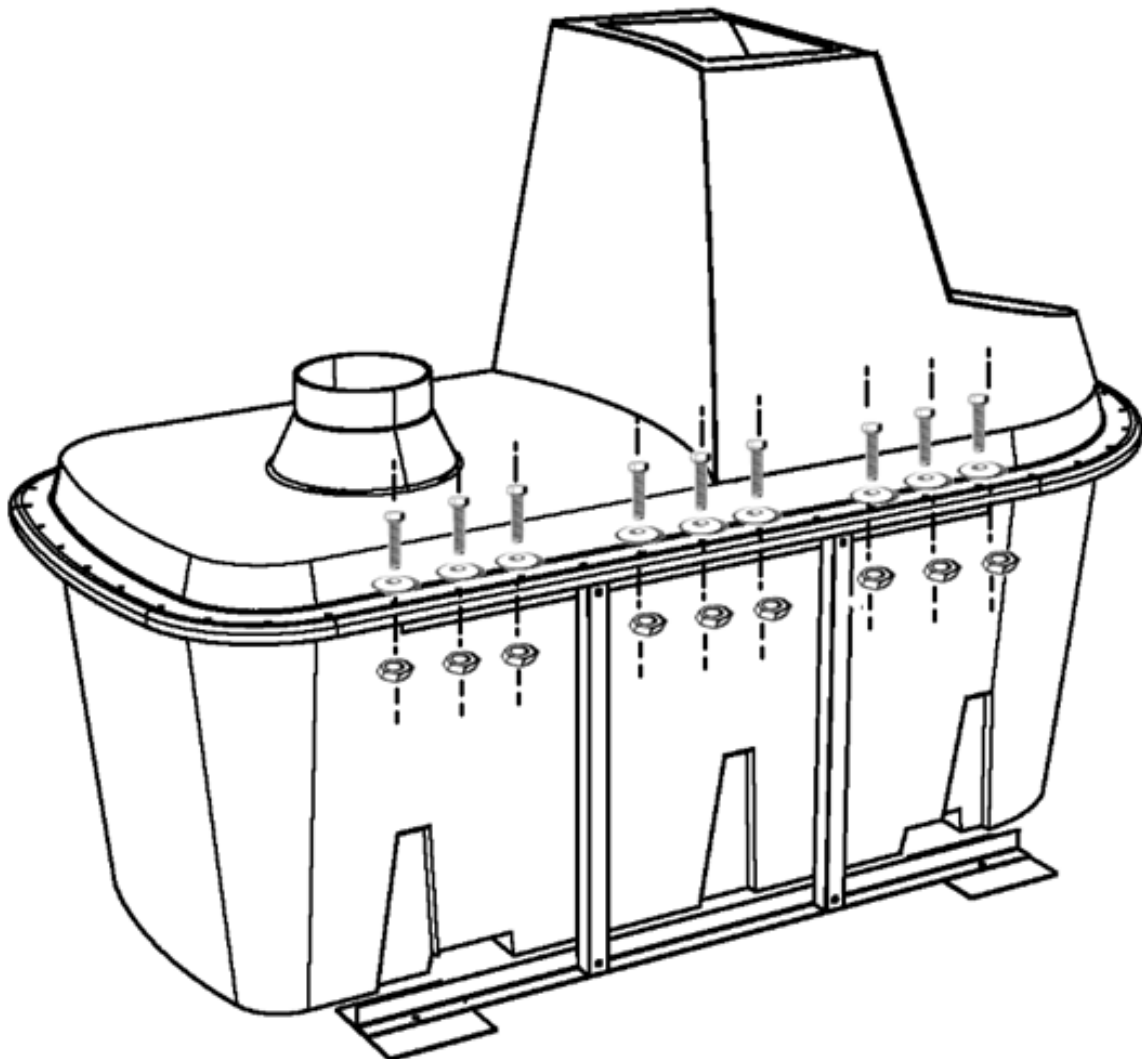


Then place the top onto the base



Kazuba

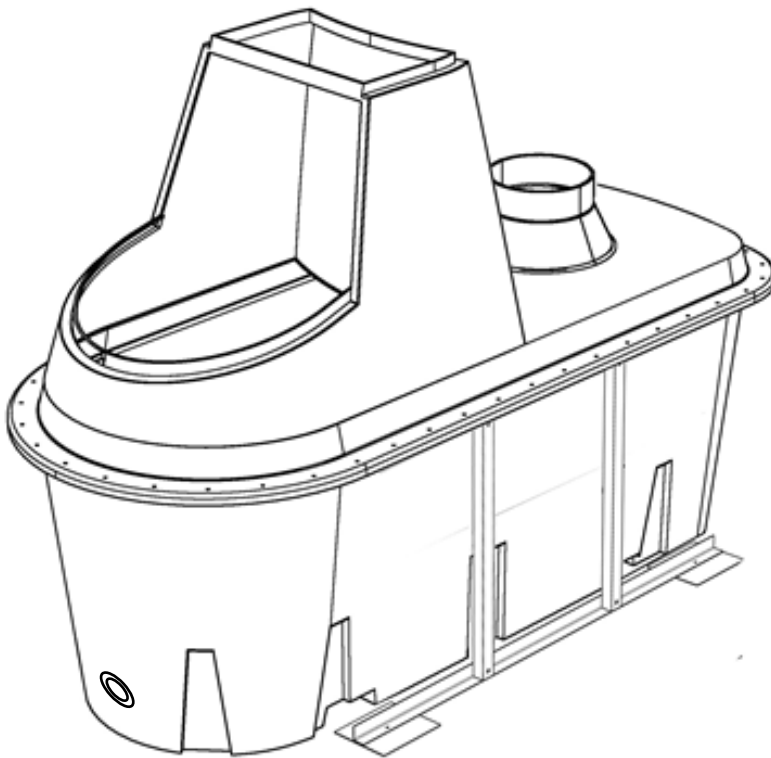
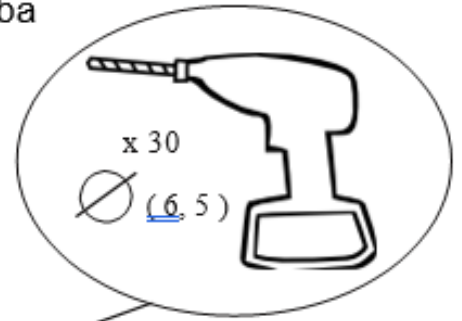




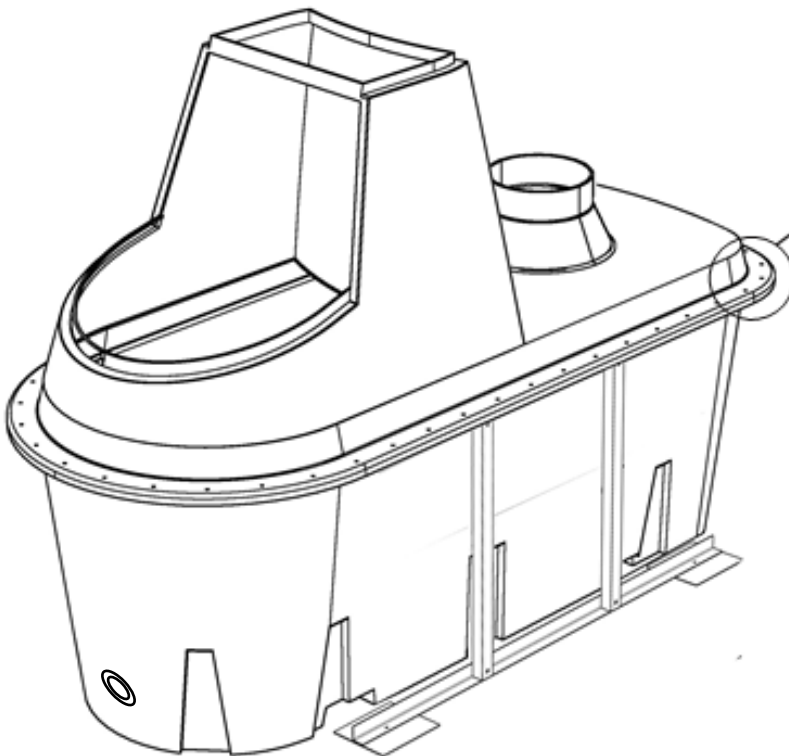
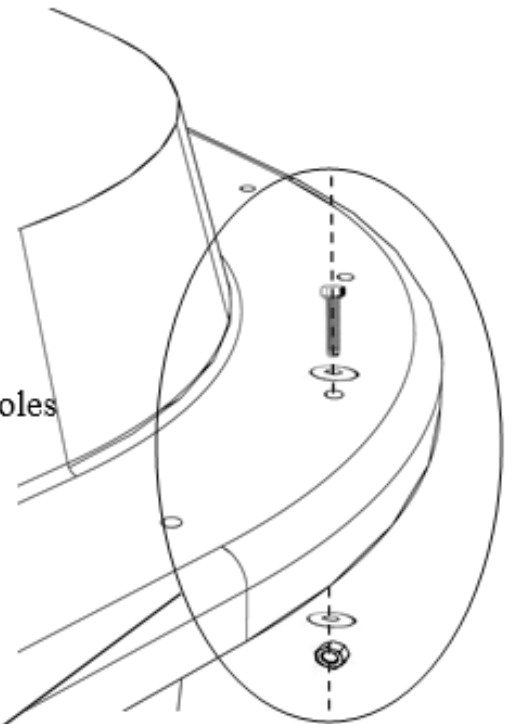
x 2




Fix both frames to the Kazuba

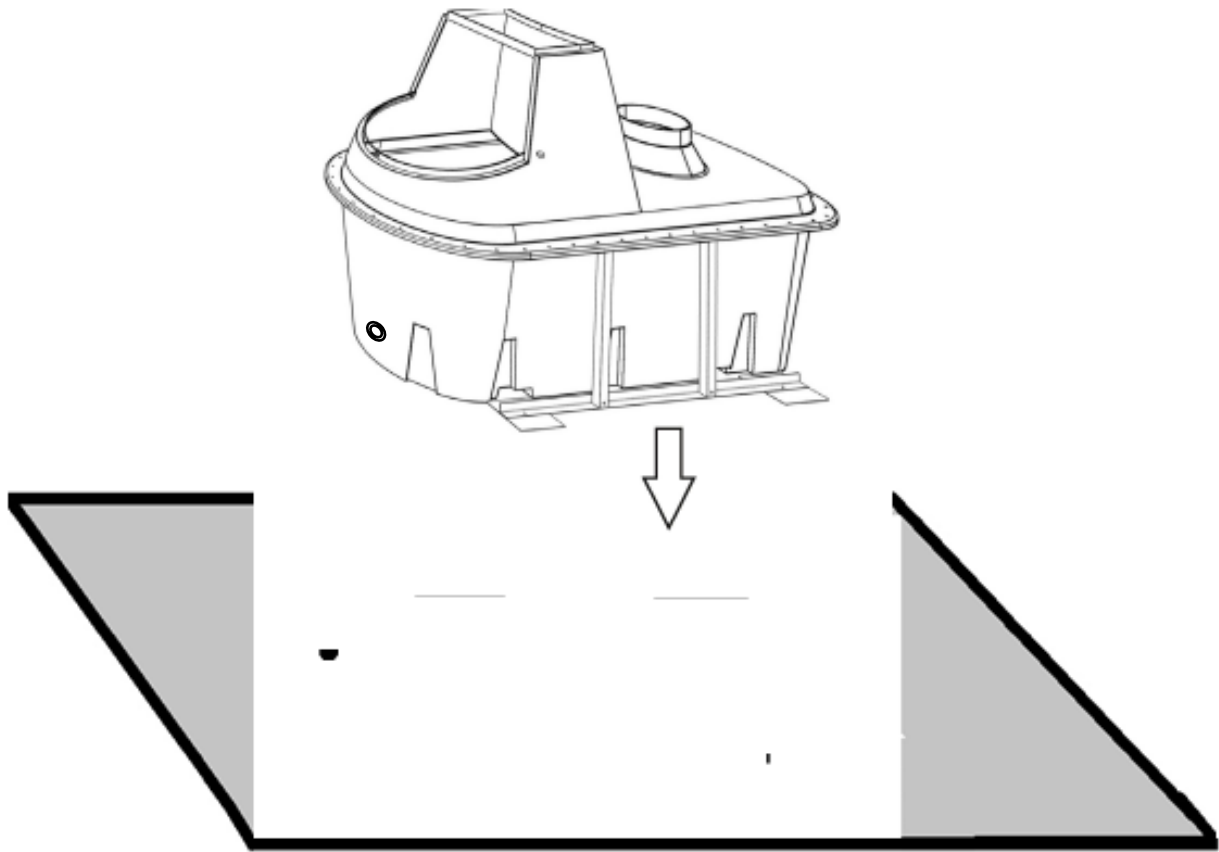
Drill the rest of the holes around the lip of the Kazuba



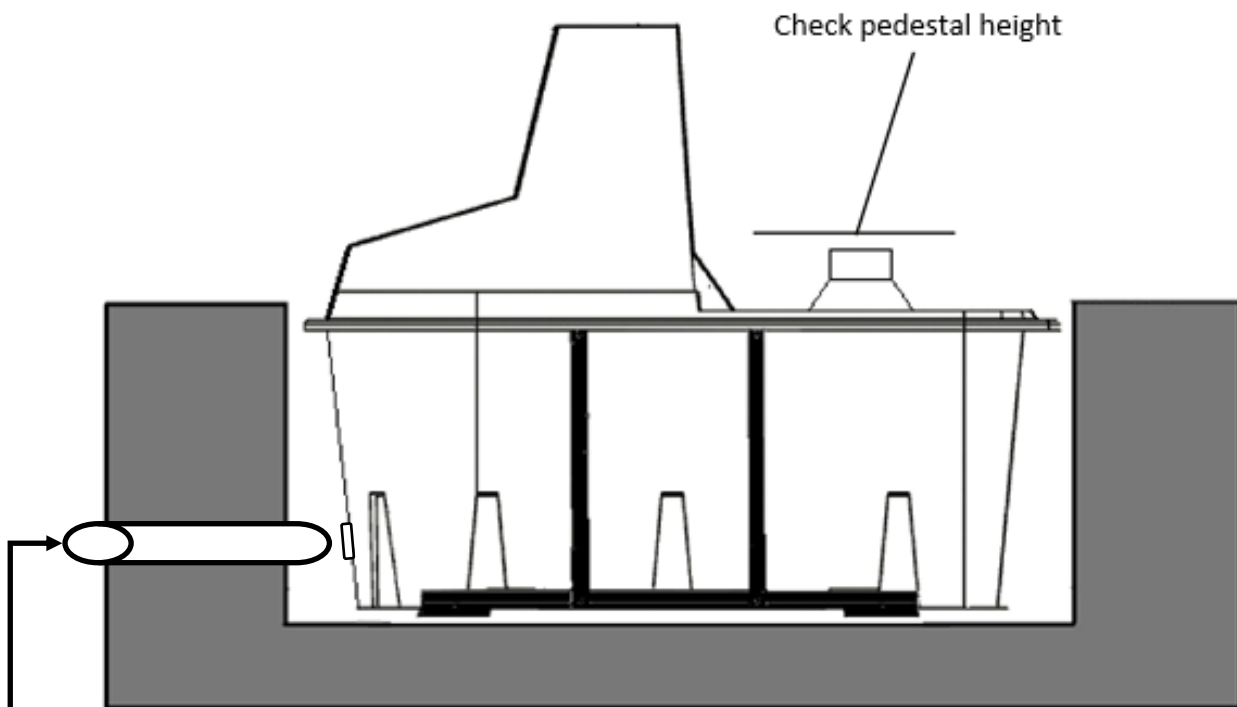
Fit the 50mm bolts supplied into the remaining holes



-  x 50
-  x 100
-  x 50



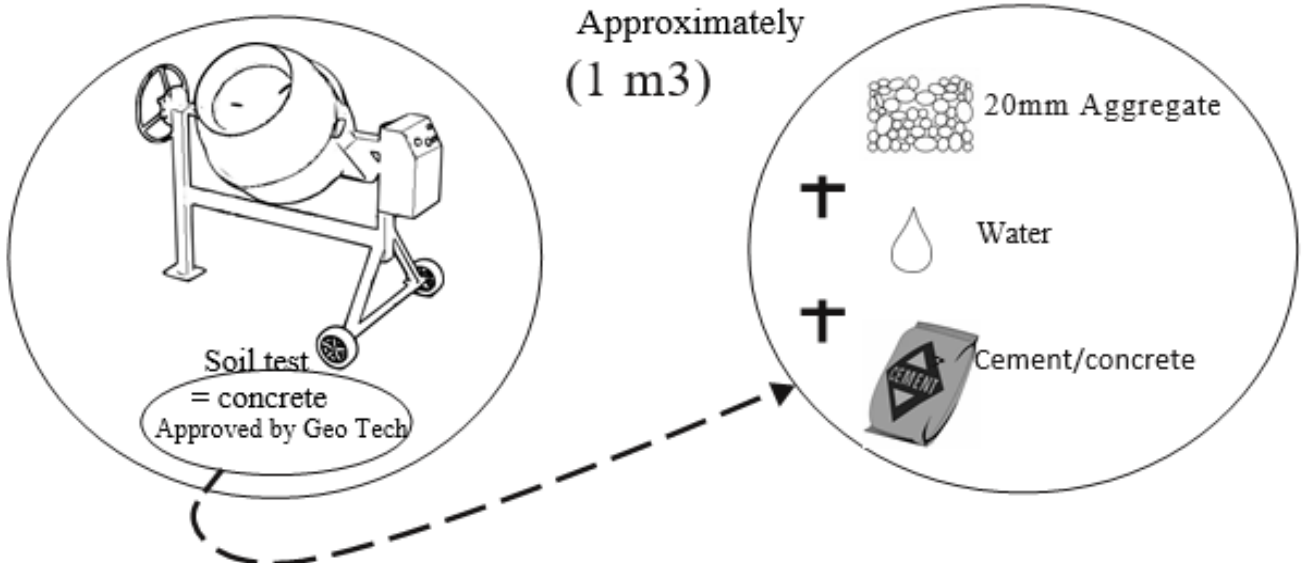
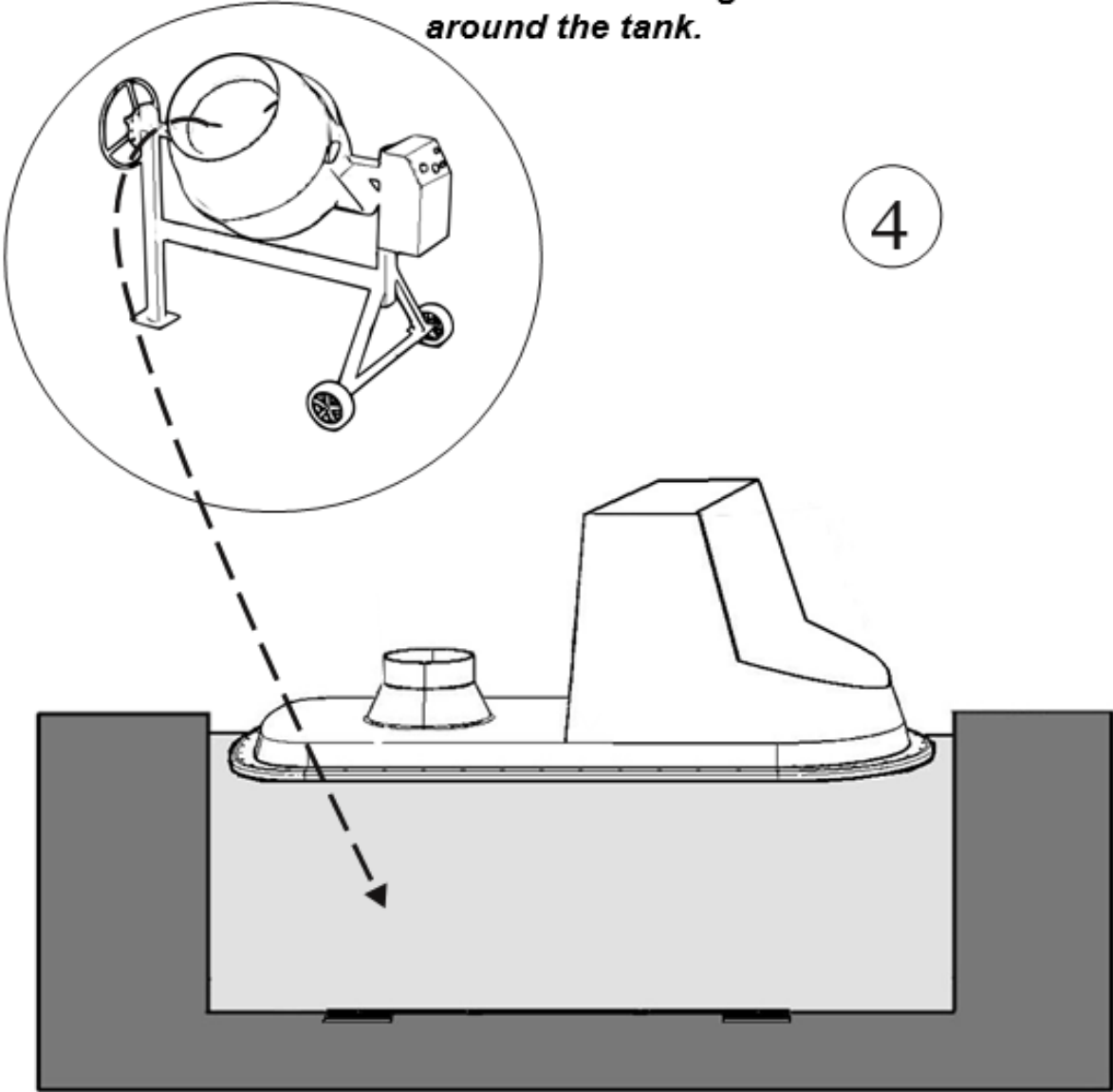
With help CAREFULLY LOWER the Kazuba in to the hole.



Connect Excess Fluid Outlet to
Absorption Trench - *OPTIONAL*

Check the Kazuba is level

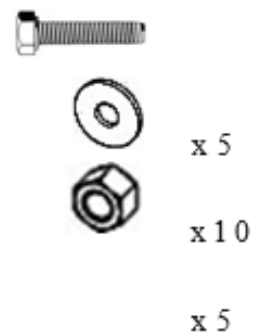
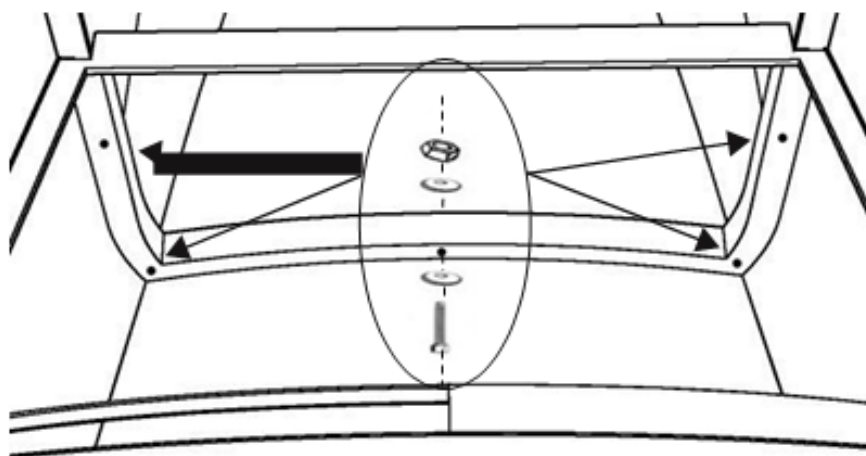
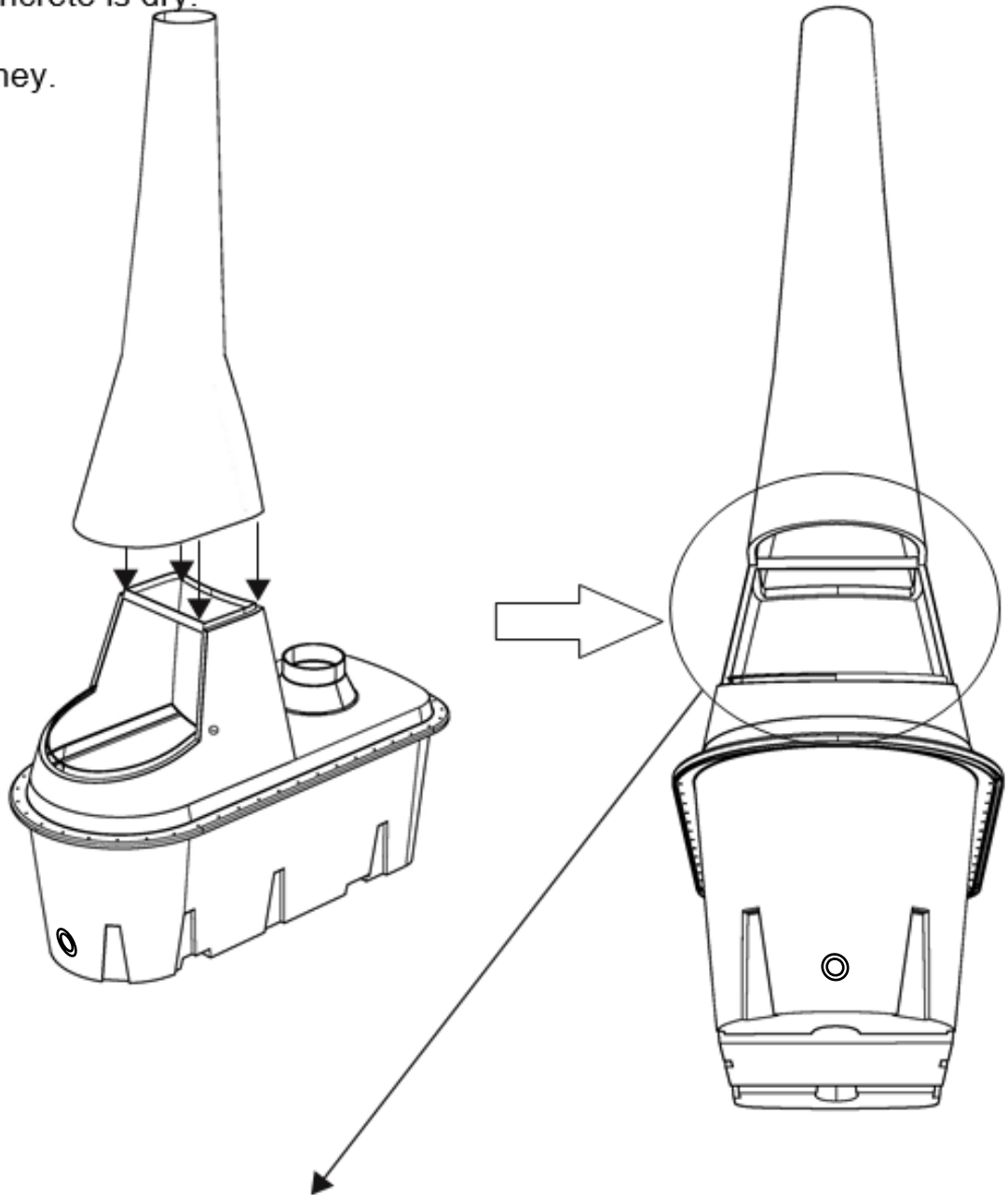
Add the concrete around the chamber making sure to work it down and around the tank.



Concrete as specified by Geo tech engineer for your soil.

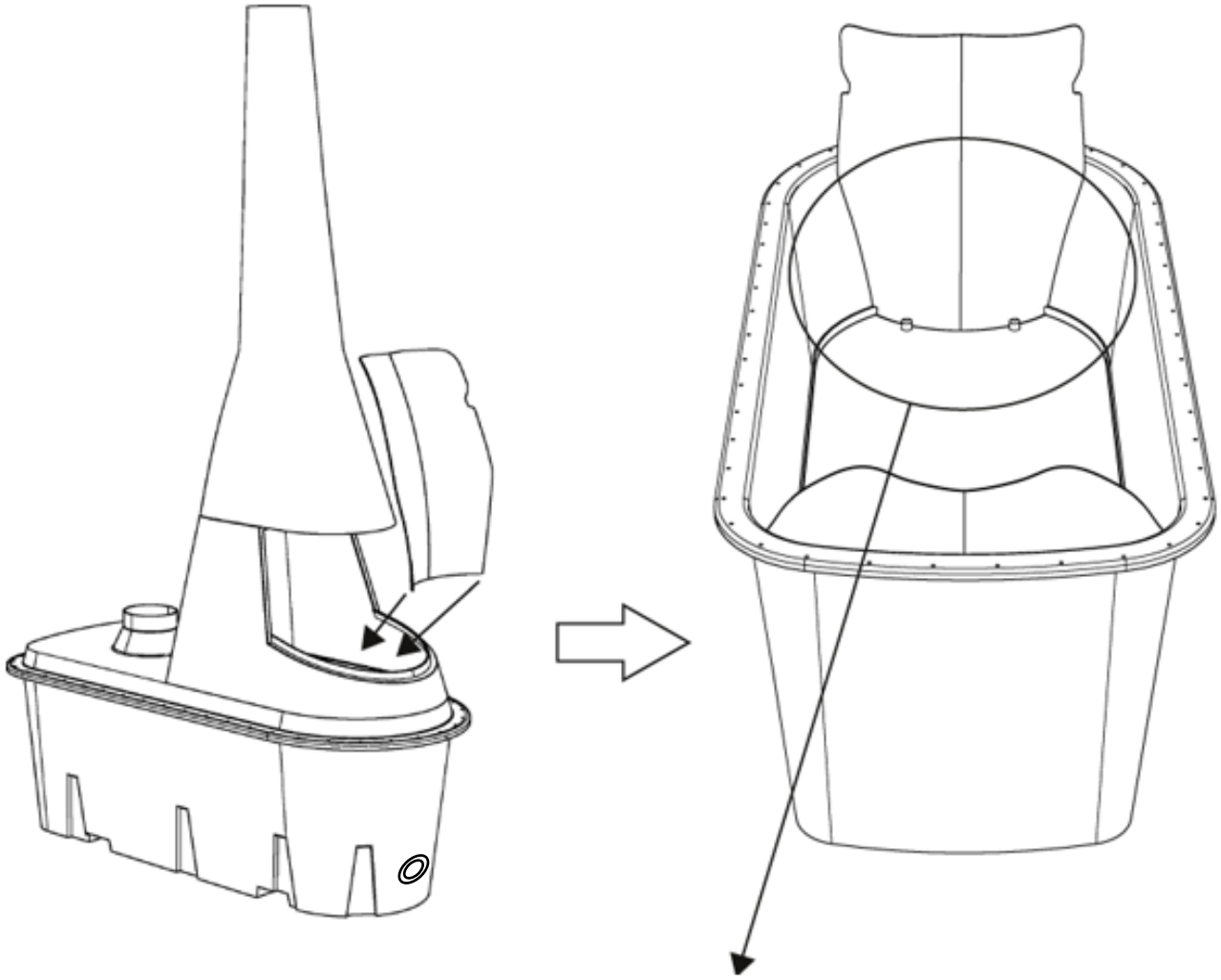
Once the concrete is dry.

Fit the chimney.

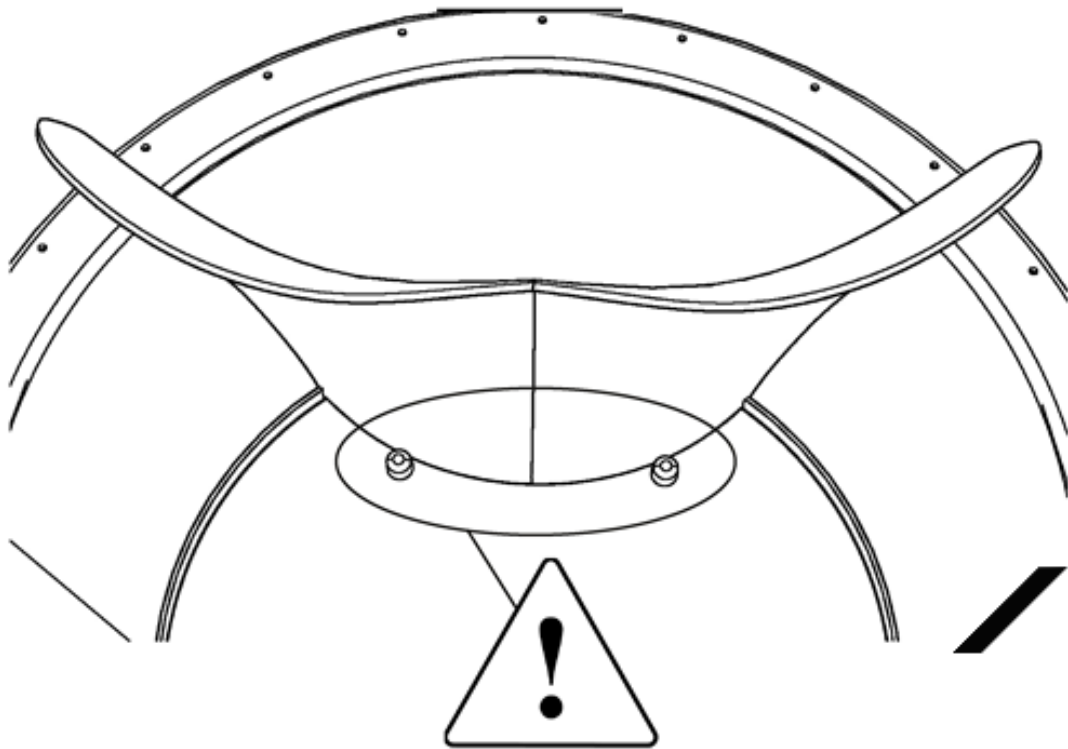


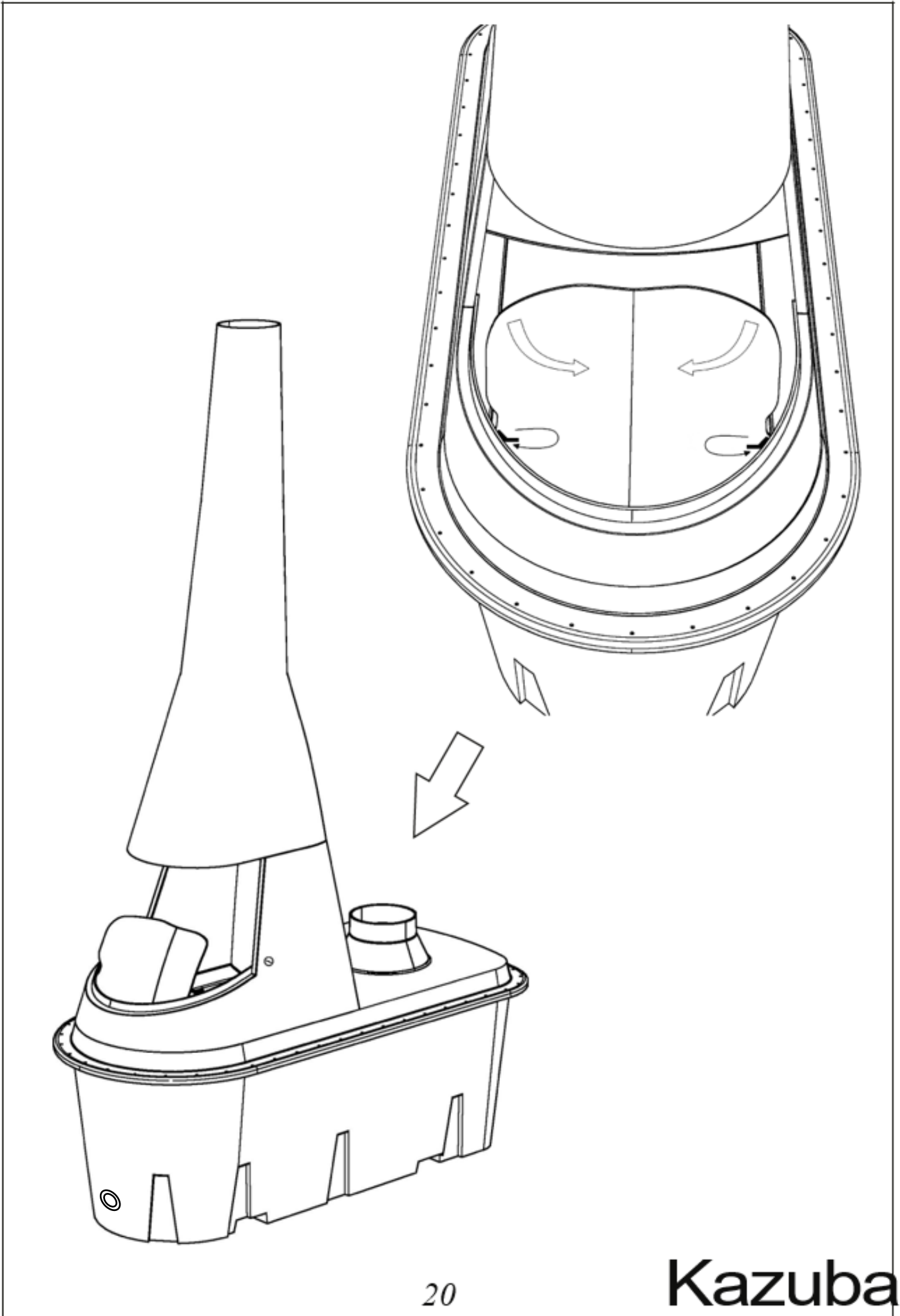
(The whirly bird can be fitted before the chimney is put into place if needed)
Being lower and safer to fit.

Kazuba

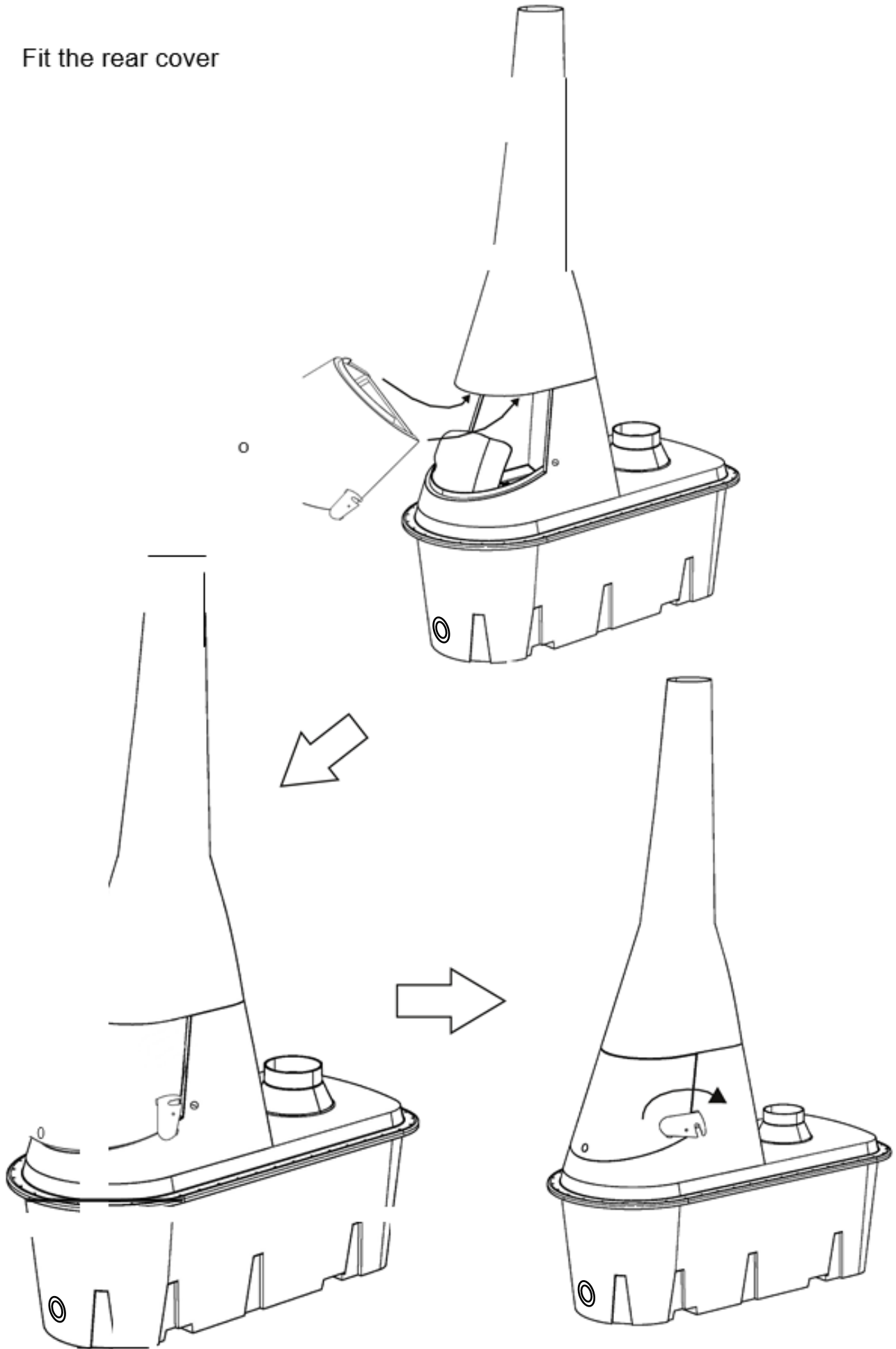


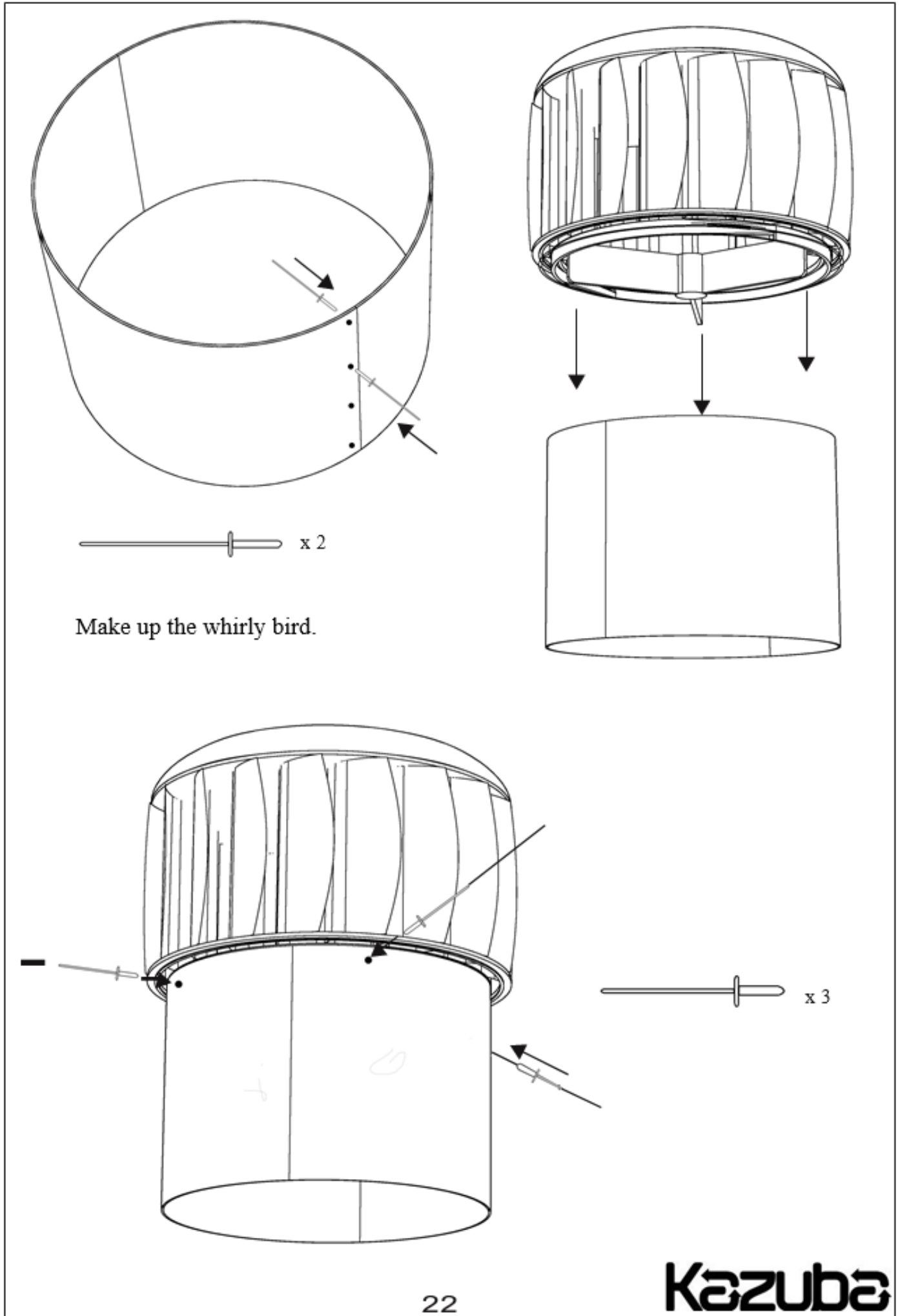
Insert the baffles

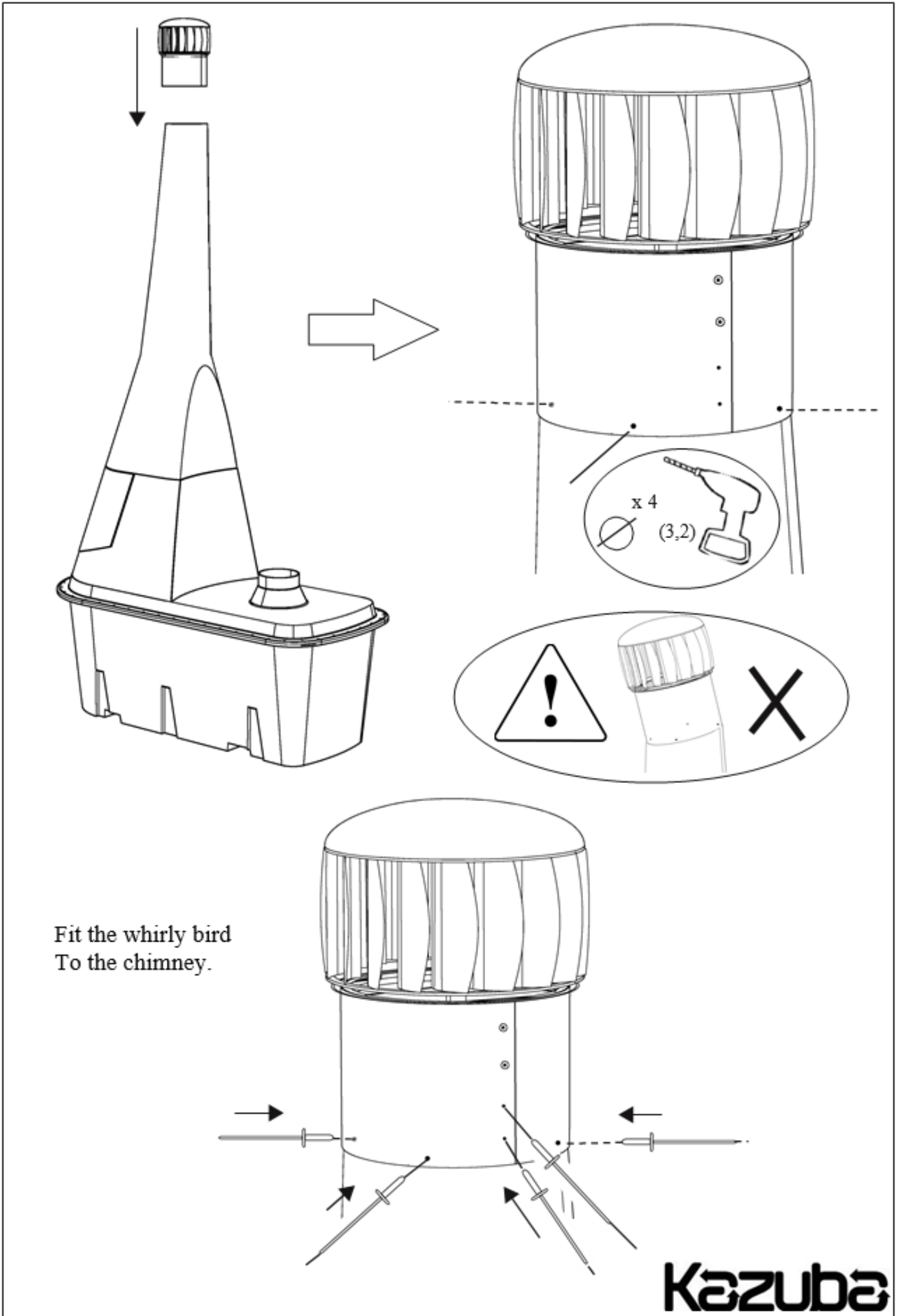




Fit the rear cover







Completed installation of your Kazuba

